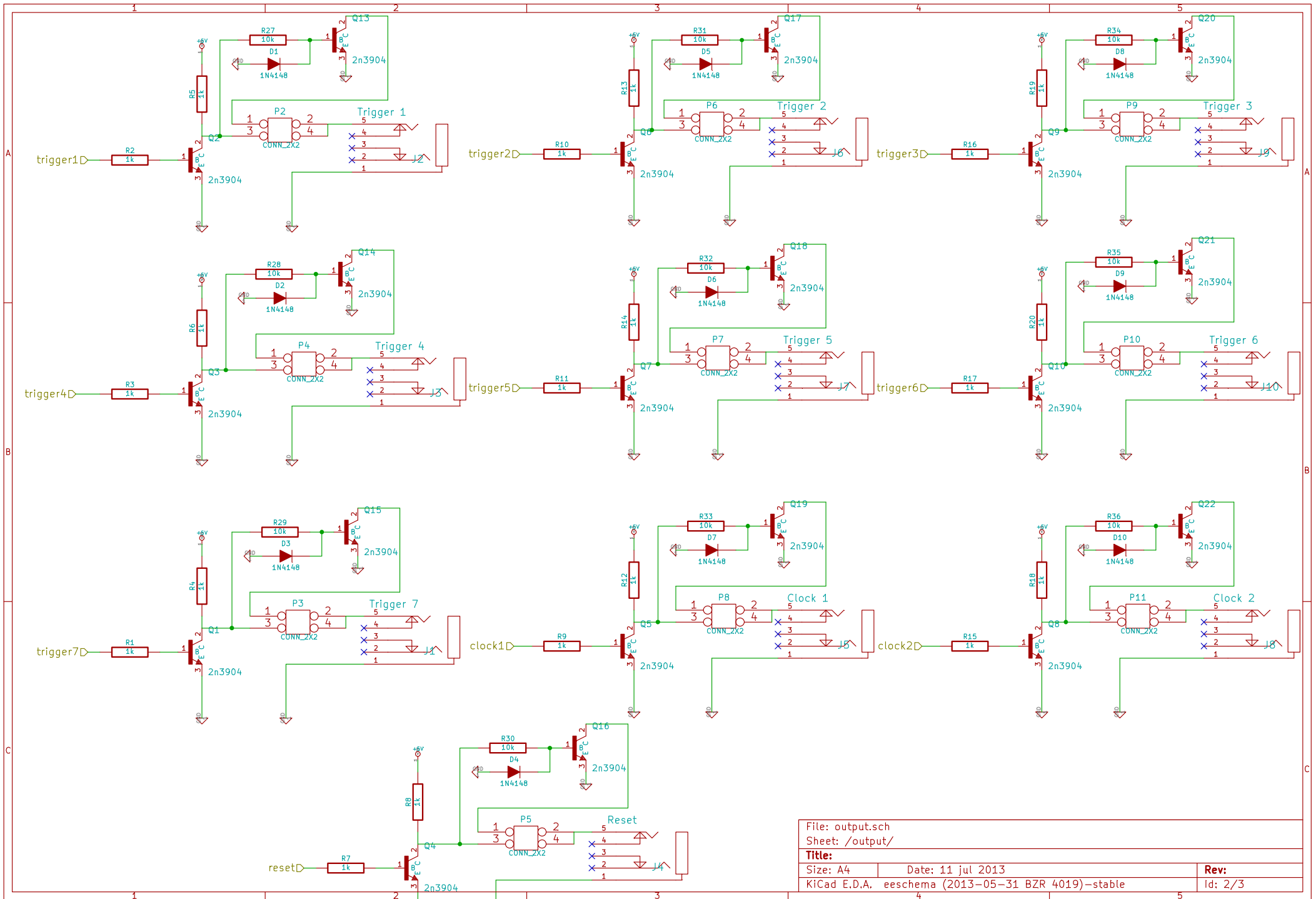
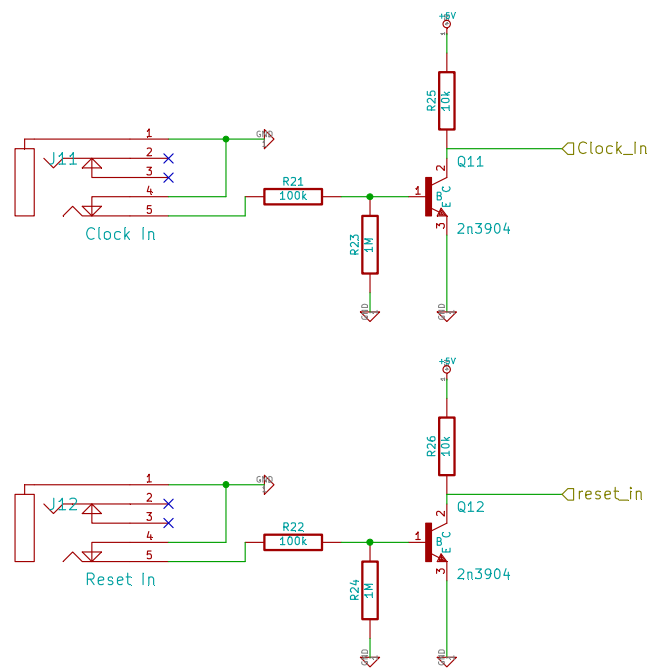


File: triggerExtension.sch		
Sheet: /		
Title:		
Size: A4	Date: 11 jul 2013	Rev:
KiCad E.D.A. eeschema (2013-05-31 BZR 4019)-stable		Id: 1/3



File: output.sch	
Sheet: /output/	
Title:	
Size: A4	Date: 11 jul 2013
KiCad E.D.A. eschema (2013-05-31 BZR 4019)-stable	
Rev:	
Id: 2/3	



File: input.sch		
Sheet: /Input/		
Title:		
Size: A4	Date: 11 jul 2013	Rev:
KiCad E.D.A. eschema (2013-05-31 BZR 4019)-stable		Id: 3/3