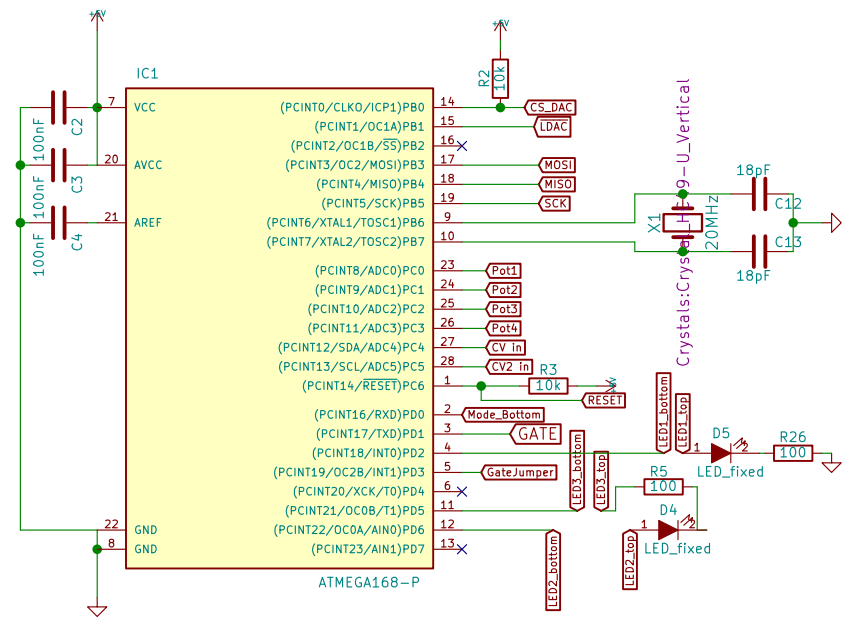
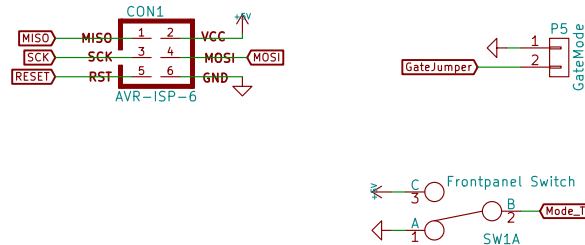


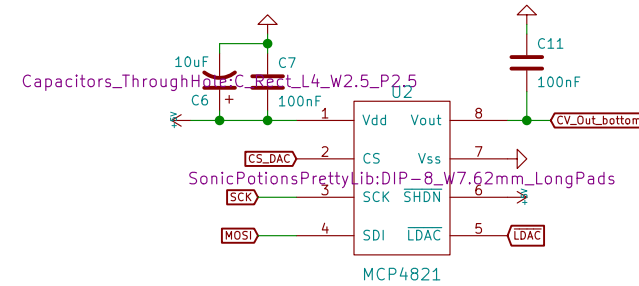
MCU



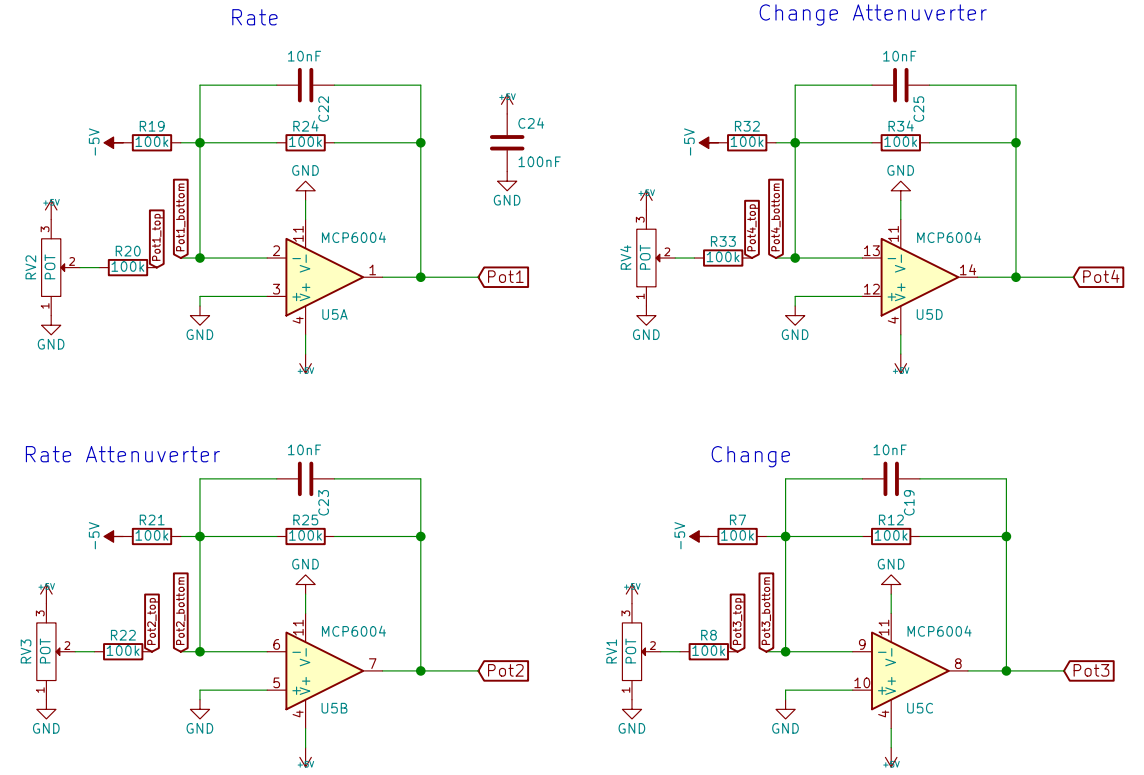
Switch and Connectors



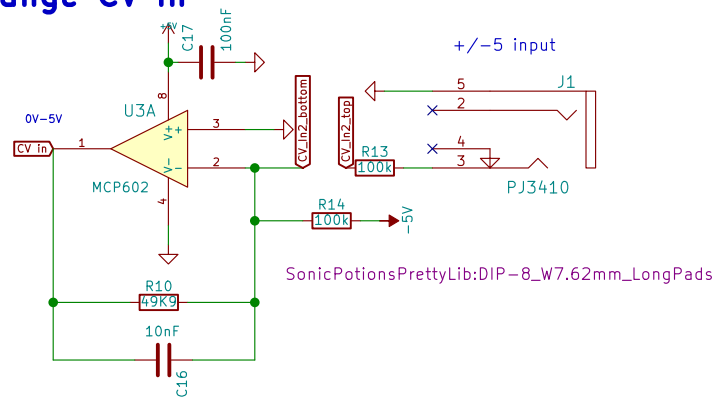
DAC



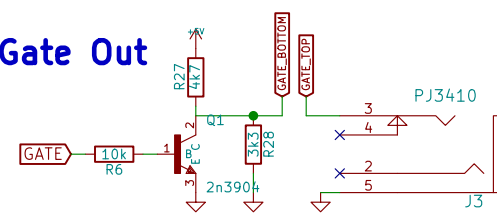
Potentiometers



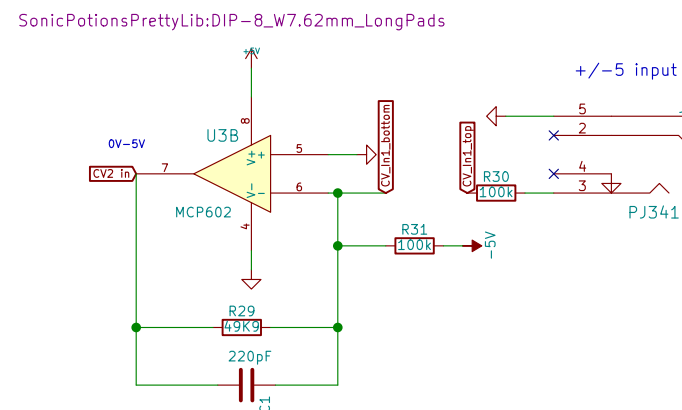
Change CV In



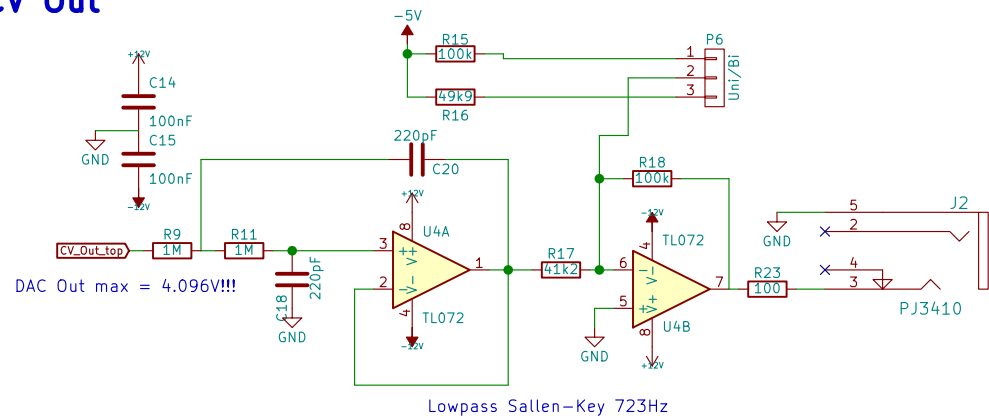
Gate Out



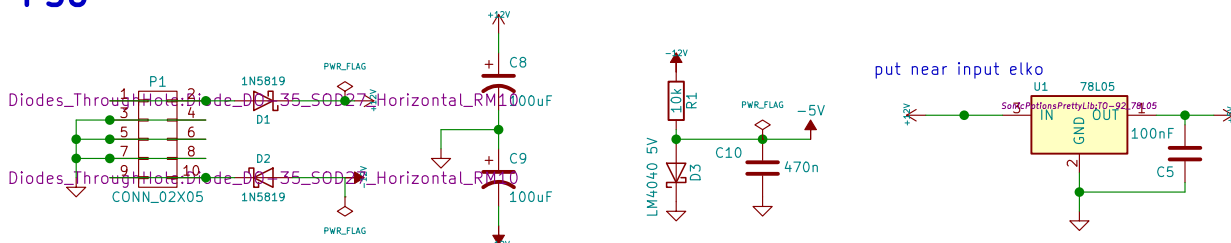
Rate CV In



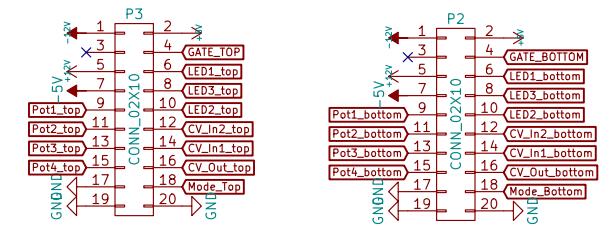
CV Out



PSU



Board Connector



Sonic Potions

Sheet: /
File: malaclypseJr.sch

Title: Malaclypse the younger

Size: A3 Date: 2015-12-12

KiCad E.D.A. kicad no-vcs-found-7b4ea2a58ubuntu16.04.1

Rev: 0.3

Id: 1/1